

A8V2 Printer stand

A New Beauty is Born

A8V2 printer stand not a stand or a printer , just a " excellent solution " for any panel computer with VESA 75 / 100

" We like thing that appear quite simple, but when you look really closely, have a tremendous amount of details in them". A8V2 stand solution is based on the completely new concept, which creating a new working experience for your business.

A8V2 printer stand with it's design in more exciting ways, it is not limited to the product configuration or function, but with more advantages of " Touch-and-Print " ---- Space-saving, Easy and Flexible.

Touch-and-Print=Panel PC(PP) + A8V2 Desktop Trunk

Modular design



Flexible controls

Multiple applications



Yes, Easy to work with any Panel Computer

Immerse your thermal printing with A8V2 printer stand

With distinctive and aluminum chassis, A8V2 is a state-of-the-art design as no surprise. It is not the only attraction on the product design concepts, A8V2 help you enjoy a great experience of "Touch-and-Print" when it work any panel computer. It is easy installation, excellent performance and space-saving!



A8V2 printer stand can be mounted with any panel computer with **VESA 75**, which is the standard in computer market. It's aluminum chassis and the metal Hinge can support about xxx kgs load. The heavy duty and durable materials for the rigid working environment. The A8V2 could be the most small footprint design in it's class

Front and side design

Besides the compact and sleek aluminum chassis, A8V2 actually with the outstanding designs to support your working

Invoice front-out.



Paper roll front-in and easy drop-in device.



Smart touch feed button with colorful indication for printer status.

Water-split proof with internal water driven-out device

Rear-back design

Beside the clean and screw less housing, the A8V2 actually with excellent cable management design to hide the cable and easy for the installation. The standard A8V2 available with RS232+USB interface(Optional for LAN+USB interface)



Commitment to Printing Excellent

The sophisticated and clean design with the contemporary touch, A8V2 print stand is the good solution which commitment to the "Touch-and-Print" excellent to work with the Panel Computer.



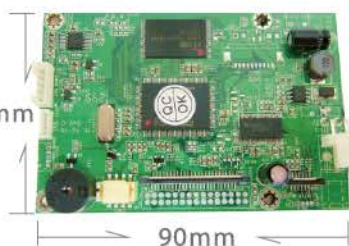
Aluminum chassis + Mini + powerful

Advanced technologies

A8V2 built-in the high performance controller board which enhanced the printing speed, support the various interfaces and working operation systems., furthermore the OPOS drivers supported.

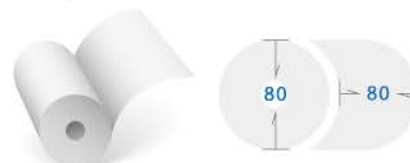
Mini and Aluminum chassis

Unlike the general and me-too printers form the competitors, there is sensation you can breath on the A8V2., It is the strong, intelligent and confident simplicity of design with the aluminum chassis and advanced technology.



200mm/second print speed

A8V2 built-in SEIKO printer mechanism #CAPD347(printer-head and AutoCutter) to assure of the high quality. Together with professional printing control board, the sprint speed can be up to 200mm/second.



(supports 80mm diameter paper roll)



More functions

- Multi-language support
- Firmware upgradeable
- Supports RS232+USB (optional for LAN+USB)
- Supports OPOS driver



Great A8V2

Exceptional Tough and Full-Featured

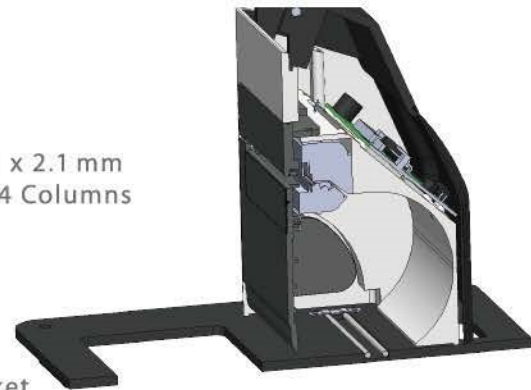
A stunning modern solution for your printing

A8V2 with compact and ergonomically designed to maximize valuable counter space, and make it reliable for retailers and hospitality businesses operating even in the harshest working environment.

applications



Printing Method	Direct Thermal
Printing Direction	Line Printing
Max Print Width	79.5mm +/- 0.5mm
Effective Print Width	72mm
Character Size	Font A: 1.5 x 3mm ; Font B: 1.1 x 2.1 mm
Character per line	Font A: 48 columns ; Font B: 64 Columns
Printing Speed	200mm/s
Printer Density	576 dot/line
Printer Life	100Km
Serial Port	Up to 115200 bps baud-rate
USB Port	USB 2.0
Cash Drawer Port	DV 24V/1A, 6 wires RJ-11 socket
ASCII code	
Chinese	
Barcode	Big 5 or GB UPC-A, UPC-E, EAN-13, EAN-8, Code 39, Code 93, Code 128, ITF-25, QR code
Beep Tone	Standard for Error Driver setting for After Printing
Darkness Adjustment	Supported
Print Commands	ESC/POS compatibles
RAM	2MB flash memory
Paper width	79.5mm +/- 0.5mm
Max. Roll Diameter	80mm
Paper Thickness	53.0~80.0 g/m2
Auto Cutter	Life span: 1,000,000 cuts
Operating	5 ~ 50 degree C; 10% RH ~ 80% RH
Storage	-20 ~ 60 degree C; 10% RH ~ 90% RH
Input	100V ~ 240V AC, 50-60Hz
Output	24V DC / 2.5A
Weight	A8V trunk/3.5kg



Ordering information:

A8V2U : Print stand built-in 80mm thermal printer , w/AutoCutter , RS232 and USB Interface

A8V2N : Print stand built-in 80mm thermal printer , w/AutoCutter , LAN and USB interface