

PD-104G LCD MONITOR / DISPLAY PT-104P/104R



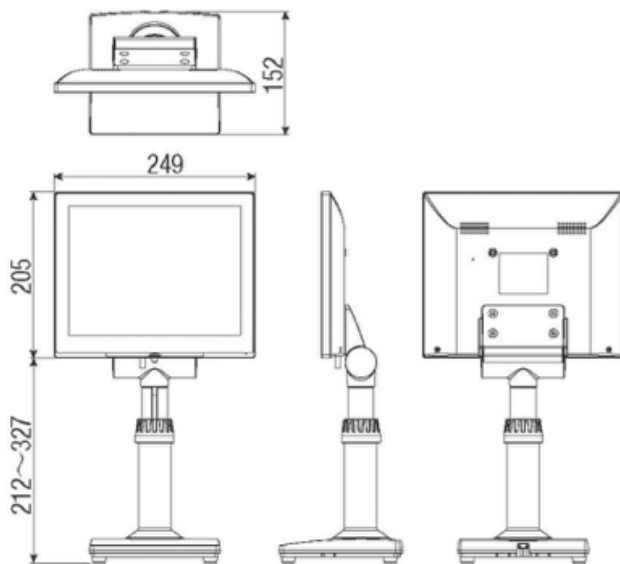
Model	PD-104G PT-104P PT-104R
Colour	Black or White
Cover Lens	PD-104G - Mitsubishi PMMA Hardness >5H (JIS D0202), T.93%, Glass PT-104P - Projective Touch PT-104R – 5 wire Resistive Touch
Display Type	10.4" Diagonal TFT Active Matrix with LED Backlight
Resolution	800 x 600 @60Hz
Brightness	300 cd/m2 (typical)
Response Time	25ms (typical)
Contrast Ratio	500:1 (typical)
IO Connectivity	Mini USB x 1/ DC 12V
Viewing Angle	USB or D-Sub 15 pins
Backlight MTBF	15,000 hrs
Power Consumption	10W
Temperature	0 to 40 °C / 20 to 40°C
Humidity	20 to 90% non -condensing
Approval	CE.FCC

#Key Features

- #Flat Screen
- #VESA 75 ready
- #Stable Pole Stand
- #Smart Cable Management
- #Adjustable Viewing Angle
- #Lower Power Consumption



DIMENSION (MM)



PORT

